



MNR DENTAL COLLEGE AND HOSPITAL

“NAAC ACCREDITED”

(Recognized by MH&FW, Govt. of India & Affiliated to KNR University of Health Sciences)

MNR Nagar, Narsapur Road, Fasalwadi, Sangareddy 502294

**Alternate sources of Energy and
Energy Conservation Devices
Geotagged Photographs**



MNR DENTAL COLLEGE AND HOSPITAL

"NAAC ACCREDITED"

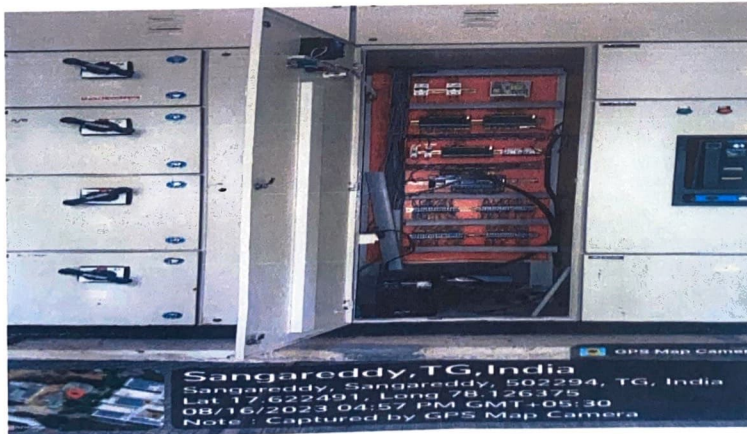
(Recognized by MH &FW, Govt.of India & Affiliated to KNR University of Health Sciences)

MNR Nagar, Fasalwadi, Sangareddy- 502 294, Telangana State, India


Ph: (08455) 230675, 233333, Mobile: 8500056668, Fax: (08455)230533/230555/230699

E-mail: mnrde@mnrindia.org; Website: www.mnrindia.org

SENSOR BASED ENERGY CONSERVATION




IQAC COORDINATOR
Coordinator
I.Q.A.C.
MNR Dental College & Hospital


PRINCIPAL
MNR Dental College & Hospital
MNR Nagar, Narsapur Road,
SANGAREDDY Dist.-502 294 (T.S.)



MNR DENTAL COLLEGE AND HOSPITAL

"NAAC ACCREDITED"

(Recognized by MH & FW, Govt. of India & Affiliated to KNR University of Health Sciences)

MNR Nagar, Fasalwadi, Sangareddy- 502 294, Telangana State, India

Ph: (08455) 230675, 233333, Mobile: 8500056668, Fax: (08455)230533/230555/230699

E-mail: mnrhc@mnrindia.org; Website: www.mnrindia.org




IQAC COORDINATOR
Coordinator
I.Q.A.C.
MNR Dental College & Hospital


PRINCIPAL
PRINCIPAL
MNR Dental College & Hospital
MNR Nagar, Narsapur Road,
SANGAREDDY, Dist-502-294 (T.S.)

Technology

Sri Savitr Solar Modules are being Manufactured using state-of-art facilities and cutting edge Technology. These Modules are available in Framed and Laminates Versions.

Quality

Sri Savitr Solar uses high Efficiency Polycrystalline Solar Cells to provide maximum power and to meet the exacting demands of Industry.

Certification

Sri Savitr Solar Modules have been approved as per the requirement of IEC 61215 : 2005ED2 and IEC 61730 by TUV Rheinland Germany.

Besides Sri Savitr Solar has a quality management system compliance with International Quality system ISO 9000:2000.

Technical Product Information

- High Efficiency Mono/Poly Crystalline cells.
- Junction Box with Bypass Diodes as per EN 50548:2011+A1 standard.
- Cells Protected by high transmittance, low-Iron Fully tempered glass and a layer of Tedlar and EVA.
- Anodized Aluminum frame to protect the laminate and provide base for mounting structure.
- Pre-wired with Quick Connector system.



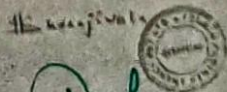
SRI SAVITR SOLAR PVT LTD

An ISO 9001:2000 Certified Company



Qualified

- IEC 61215
- IEC 61730



PRINCIPAL

Sri Savitr Solar Pvt. Ltd.
MNR Nagar, Narsapur Road,
BANGARODDYA - 502205.

LEGEND

| | |
|---|--|
| ☐ | CURRENT TRANSFORMER FOR METERS |
| ⊖ | MULTIFUNCTIONAL METER, VOLTAGE, AMP, PHASE, FREQUENCY, POWER |
| ⚡ | EARTHING |
| ⚡ | ARMORED CABLE CONDUIT BRACKET |
| ⚡ | ARMATURE CIRCUIT BREAKER |
| ⚡ | SPD |
| ⚡ | POTENTIAL TRANSFORMER FOR METERS |

| SL.NO. | DESCRIPTION | RATING | CITY. |
|--------|--|-------------|---------|
| 1. | Current Transformer for monitoring single phase of class 0.5 with 100A primary | 250/5A | 3-10/1A |
| 2. | Multi Function Energy Meter (Phase, kWh, kWh, kWh, kWh, kWh) | 2.5h | 1-10/1A |
| 3. | Potential Transformer for monitoring phase of class 0.5 with 200V primary | 200/4.15V | 1-10/1A |
| 4. | Miniature Circuit Breaker | 250A, 4.15V | 3-10/1A |
| 5. | Miniature Circuit Breaker | 250A, 4.15V | 3-10/1A |
| 6. | Miniature Circuit Breaker | 250A, 4.15V | 3-10/1A |
| 7. | Indicating Lamp ON/OFF | 250V | 2-10/1A |
| 8. | Indicating Lamp ON/OFF | 250V | 2-10/1A |
| 9. | POWER SOCKET | 3 PIN, 0A | 1-10/1A |
| 10. | MCB | 10A, 4.15V | 4-10/1A |
| 11. | SPD | 250/40, 320 | 1-10/1A |

| MECHANICAL PARAMETERS | |
|-----------------------|-----------------------|
| 1. | LT ACB panel IP Grade |
| 2. | LT ACB panel Type |
| 3. | Mounting Type |
| 4. | Panel Cased Color |
| 5. | Cable Entry and Exit |

PROJECT: 100 KWp, 875 KWpR PLANT

CLIENT: MVA HOSPITAL & GROUP OF INSTITUTIONS

EPC: MVA North Pooch Energy Pvt Ltd.

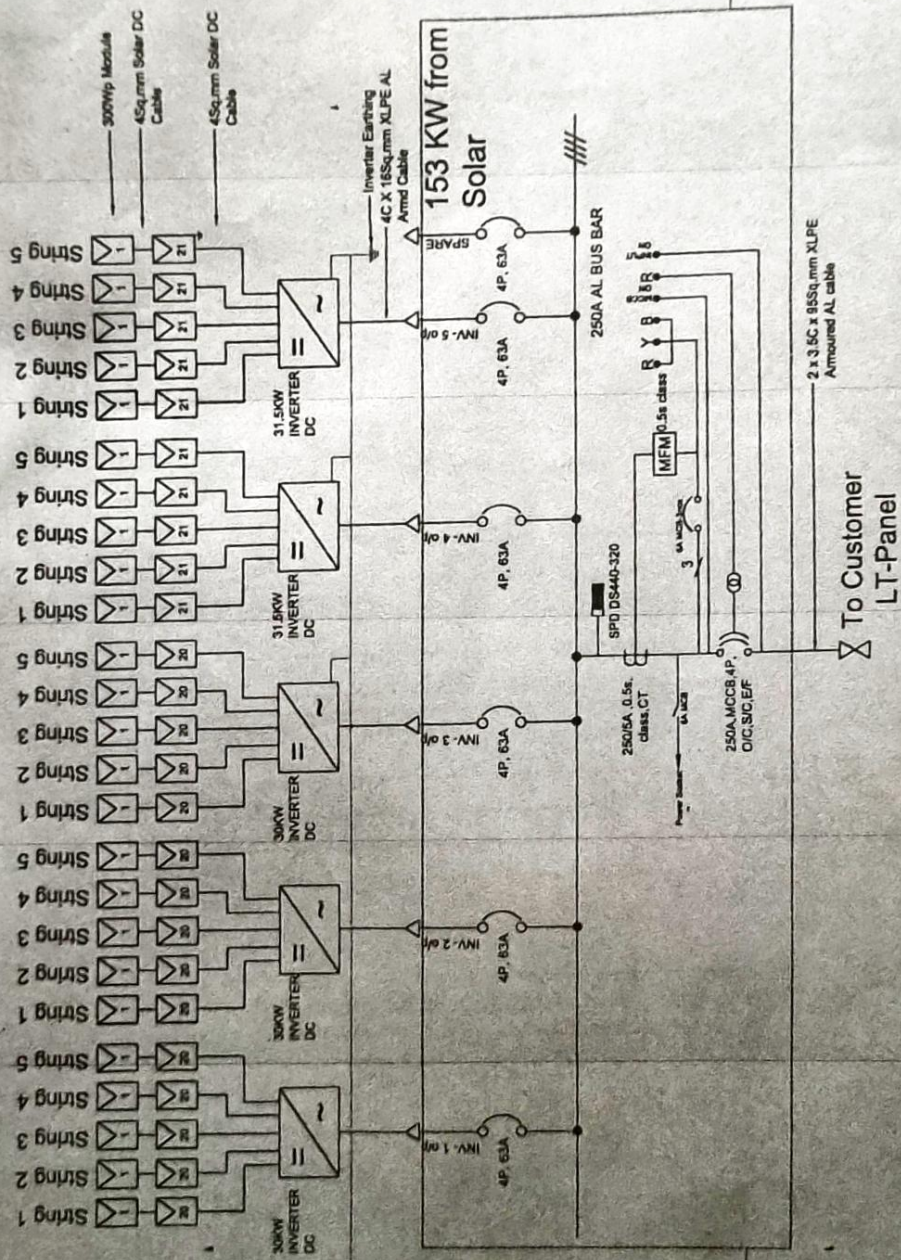
DESIGN: MVA Hyderabad

DATE: 10/05/2024

SCALE: 1:100

PROJECT NO: MVA/100-01-01-01-01

REV: 01



[Signature]
 PRINCIPAL
 MNR Dental College & Hospital
 MNR, Nagar, Marsapur Road,
 BANGAREDDY DIST-507 294 T.S.

DATA SHEET FOR MULTI CRYSTALLINE PHOTOVOLTAIC MODULES

ELECTRICAL CHARACTERISTICS OF SPV MODULES

| | | | |
|-------------------------------|---------|---------|---------|
| Open circuit Voltage (Voc) | 43.49V | 44.61V | 45.95V |
| Short Circuit current (Isc) | 8.24A | 8.45A | 8.59A |
| Maximum Module Efficiency (%) | 13.8% | 14.5% | 15.2% |
| Maximum System Voltage | 1000VDC | 1000VDC | 1000VDC |

STC: Irradiance 1000W/m², Module Temperature 25°C, AM 1.5

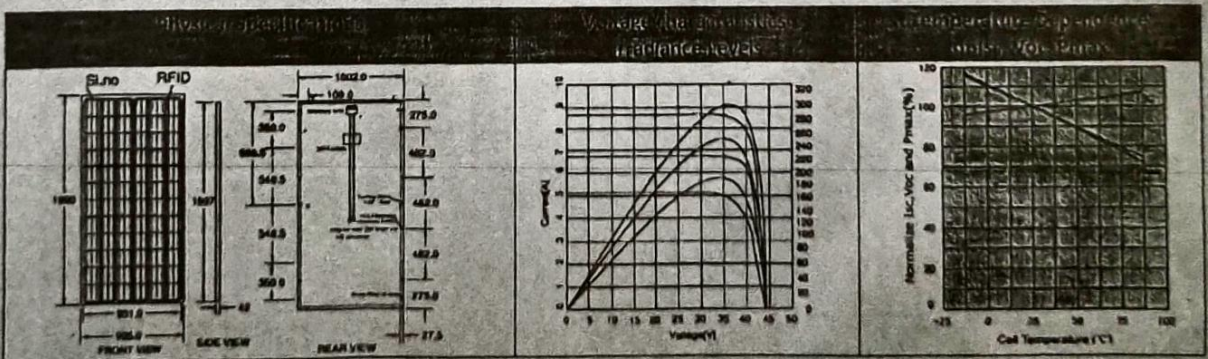
MECHANICAL DIMENSIONS

| | | | |
|------------------|---|-----------|-----------|
| Cells per module | 72(6 x12) | 72(6 x12) | 72(6 x12) |
| Weight Approx | 19kg | 19kg | 19kg |
| Frame | Anodized Aluminum Frame (Double Walled) | | |
| Junction Box | IP 65 rated | | |

TEMPERATURE COEFFICIENTS

| | | | |
|--------|----------|----------|---------|
| 47±2°C | -0.42%/K | -0.33%/K | 0.05%/K |
|--------|----------|----------|---------|

| | | |
|------------------------------------|---|--|
| IEC 61215, 61730, ISO 9001:2000 | 5 Years Warranty on Material and workman. 25 Years warranty on Power output. 90% of the rated power is guaranteed for a period of 12 years and 80% of the rated power is guarantee over a period of 25 years. | Ship Loading capacity (20ft container): 252 panels in 12 cartons, Loading capacity (40ft container) 588 panels in cartons 28 |
|------------------------------------|---|--|



Plot No. 28/1, kukatpally, Hyderabad-500072. | Tel: +91 40-23070812 | sales@srisavitr.com | www.srisavitr.com

H. K. J. J.
PRINCIPAL
MNR Dental College
MNR Nagar, Narsapur
SANGAREDDY DIST-502317

Work Completion Report for Synchronisation of Roof Top Solar Generating Unit
(To be submitted by Consumer/Applicant)

| A Applicant/Consumer Details | |
|--|--|
| 1 | Net Meter Registration Number NT911161066 |
| 2 | Registration Date 23-02-2016 |
| 3 | Name of the applicant MNR Educational Trust |
| 4 | Service Number MDK 761 |
| 5 | Category HT-2 |
| 6 | Load in KW 225KVA |
| B Agency Details | |
| 1 | Name of Agency Fourth Partner Energy Pvt Ltd |
| | Address: |
| 2 | D.No. 4-9-10, Plot no. 46 |
| 3 | Street HMT Nagar |
| 4 | City/Village Nacharam |
| 5 | Mandal Hyderabad |
| 6 | Pincode 500076 |
| 7 | Phone 040-64631123 |
| 8 | Mobile 9248088865 |
| 9 | Email ID giri@fourthpartner.co |
| C Solar PV Module Details | |
| 1 | Make Savitr Solar |
| 2 | Serial number Attached |
| 3 | Type of module Poly-crystalline |
| 4 | Capacity of each module 300WP |
| 5 | Number of modules 510 no.s |
| 6 | Total capacity 153KWP |
| D Grid Tie Inverter / Connector | |
| 1 | Make Fronius |
| 2 | Serial number 2651320, 27042191, 27021063, 27042192, 27042193 |
| 3 | Capacity 27KVA/33.75KWP |
| 4 | Input voltage 803.67V DC |
| 5 | Output voltage 3Ø 400V AC |
| 6 | If grid supply fails, no return supply to the grid (Yes or No) Yes |
| E Details of protective system available (Commission shall be done only on availability of the above) | |
| | Isobaric with inverter |

Encl:- Connected SPV generator Single line diagram

Authorized Agent Signature (with Stamp)

J. Giridhar



Consumer Signature

[Handwritten Signature]

[Handwritten Signature]
PRINCIPAL

MNR Dental College & Hospital
TNR Nagar, Mansapur Road,
BANGAREDDY Dist-502294 T.S.

NET METER Solar Generating Unit Synchronisation Report / Test Report

| A | Applicant Details | |
|----|---|-------------------------|
| 1 | Net Meter Registration Number | NT911161066 |
| 2 | Registration Date | 23-06-2016 |
| 3 | Name of the applicant | MNR Education and Trust |
| 4 | Service Number | MDK 761 |
| 5 | Category | HT-2 |
| 6 | Load | 225KVA |
| 7 | Distribution/Section | |
| 8 | Pole number | |
| 9 | Address | |
| 10 | Mobile No | |
| B | Old Meter Details | |
| 1 | Meter make | |
| 2 | Serial number | |
| 3 | Capacity | |
| 4 | MF | |
| 5 | Final reading | |
| | i) KWH | |
| | ii) KVAH | |
| 6 | Date of replacement | |
| C | New Net Meter Details | |
| 1 | Meter make | |
| 2 | Serial number | |
| 3 | Capacity | |
| 4 | Meter constant | |
| 5 | Initial reading (Tri vector parameters) | |
| | i) Import (KWH/KVAH) | |
| | ii) Export (KWH/KVAH) | |
| D | Details of protective system available (Commissioning shall be done only on availability of the protective equipment) | |
| E | Date of Synchronisation/Grid Connection | |

CERTIFICATE

It is certified that there is no return voltage from the inverter to the meter when incoming grid supply is switched off.

It is further certified that the protective equipment is installed and functioning as prescribed.

Agent Signature

Consumer Signature

Assistant Divisional Engineer
Operation/ _____



[Signature]
PRINCIPAL

MNR Dental College & Hospital
MNR Nagar, Nandapur Road,
SANGAREDDY Dist-502307, T.S.